
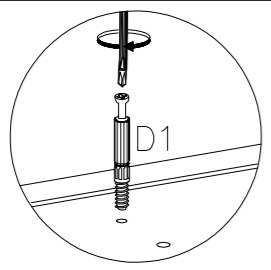
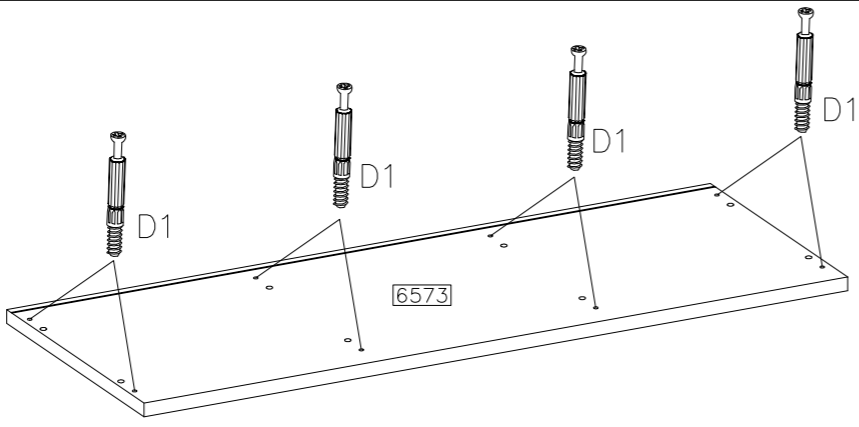
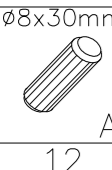
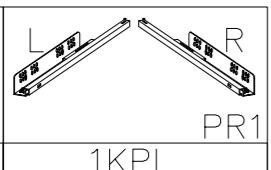
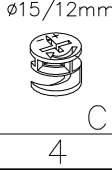
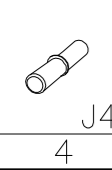

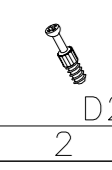
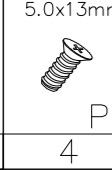


1

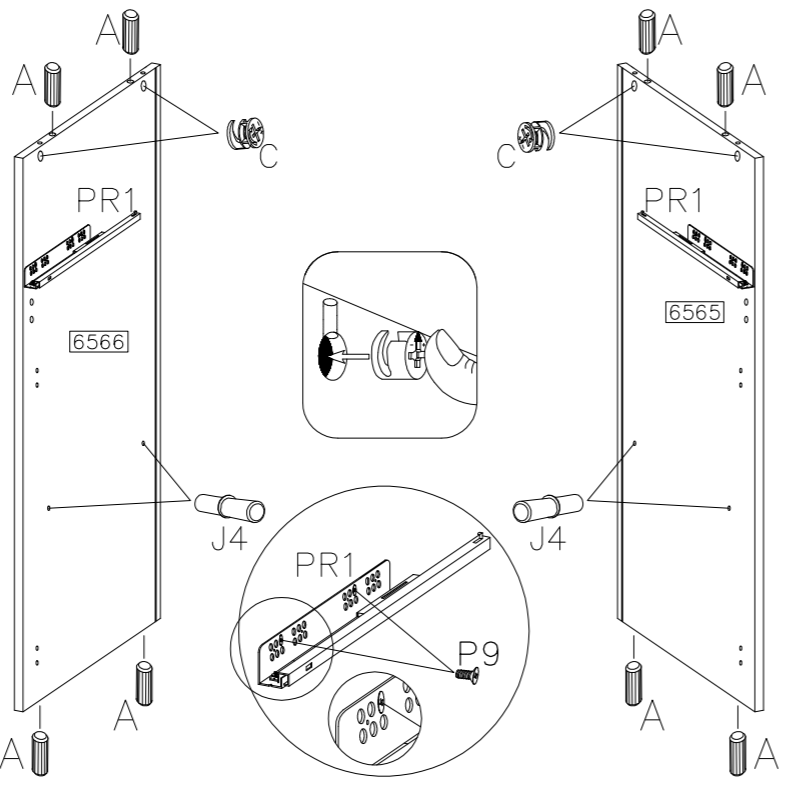
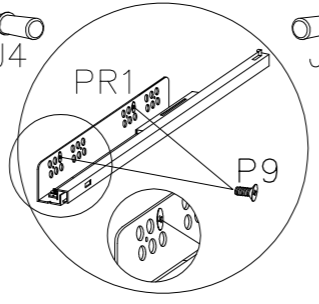
	8
--	---

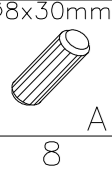

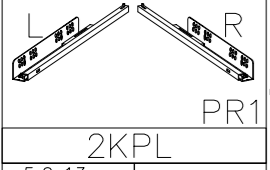
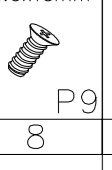
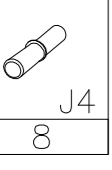
2

	12		1KPL
	4		4
	2		2
	4		

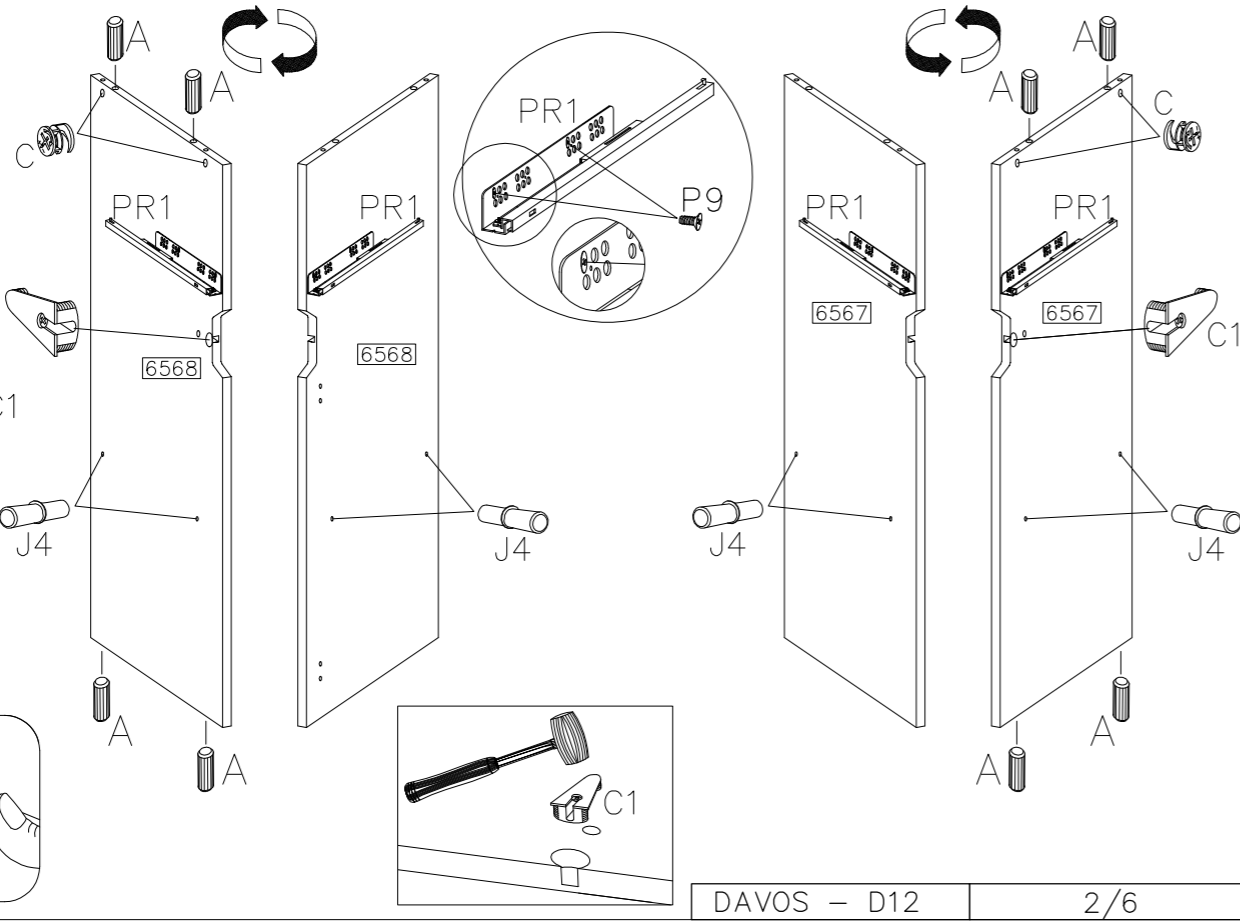
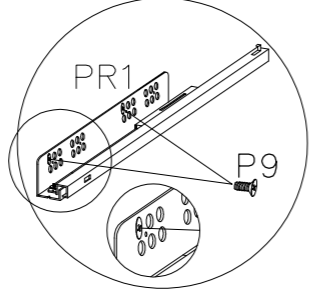
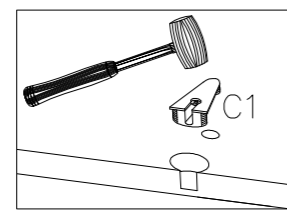
5.0x13mm

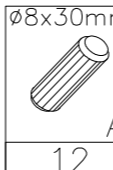
3

	8		4
	2KPL		8
	8		

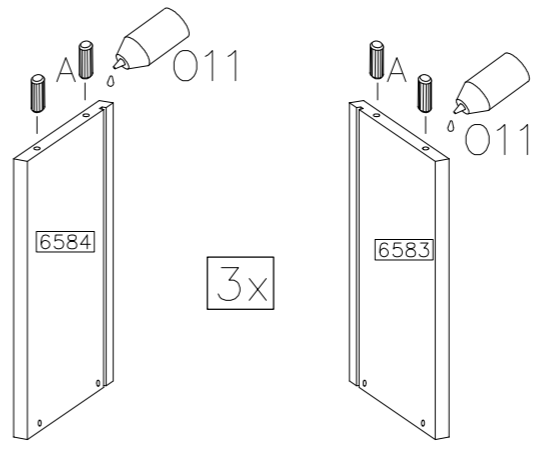

5.0x13mm

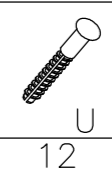
9

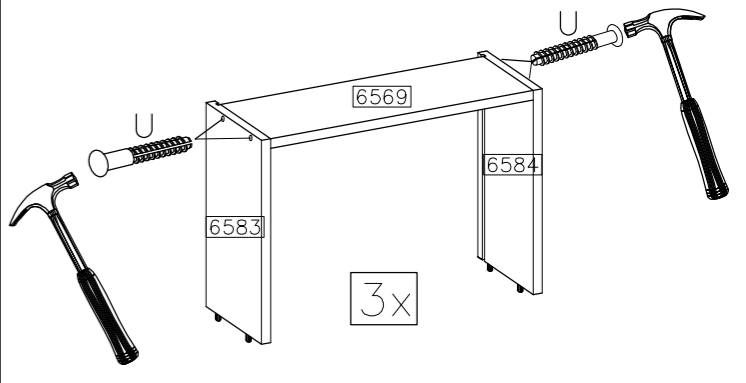

	12
--	----

ø8x30mm

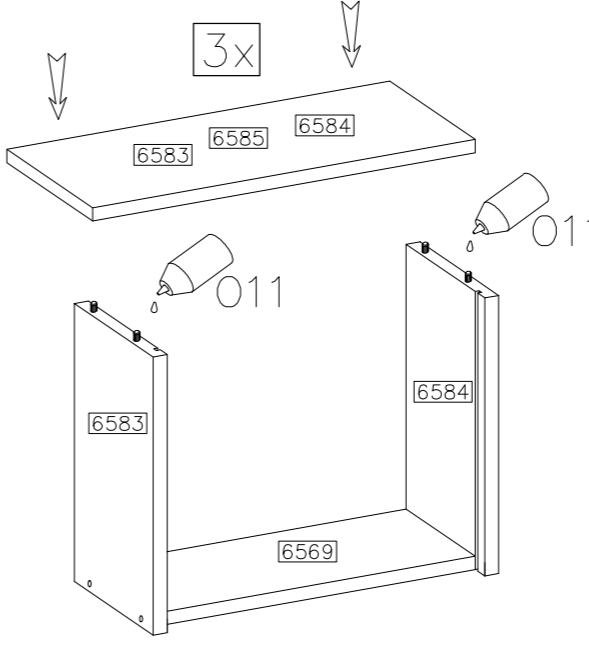




10

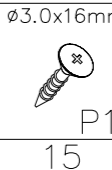
	12
--	----

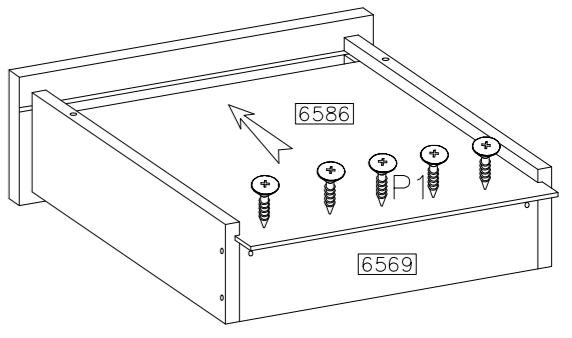
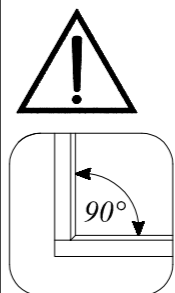
11


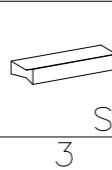
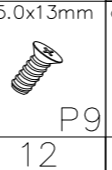
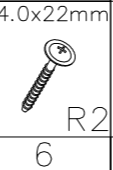
12

	15
---	----

ø3.0x16mm

13

	6		3
	12		6

5.0x13mm ø4.0x22mm

